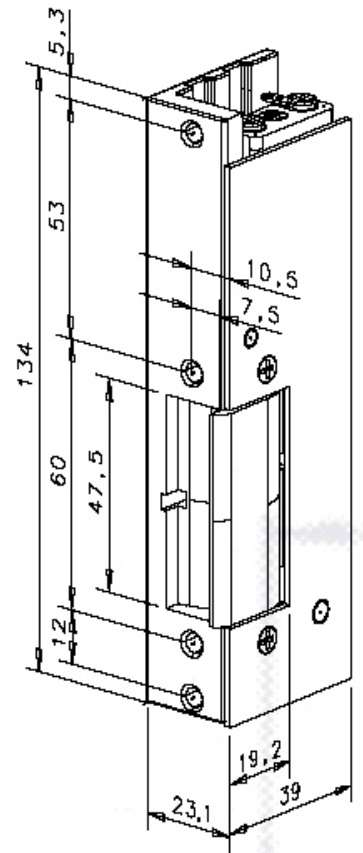
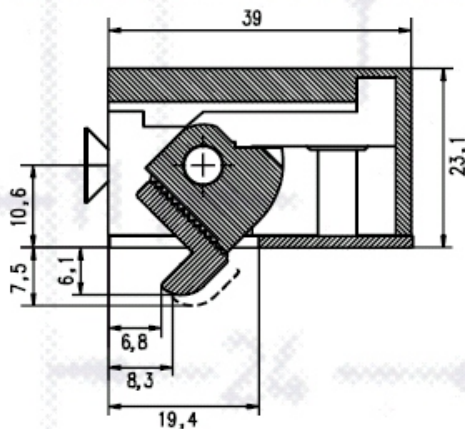
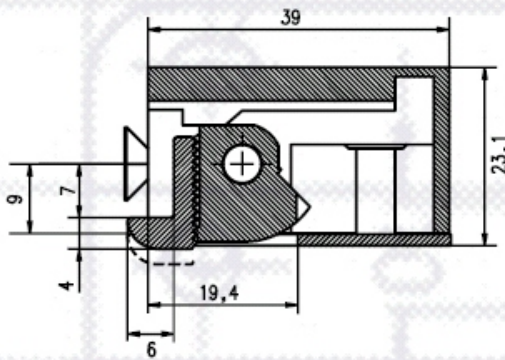


HIGH-SECURITY STRIKES FOR FIRE DOORS AND FIRE BARRIERS

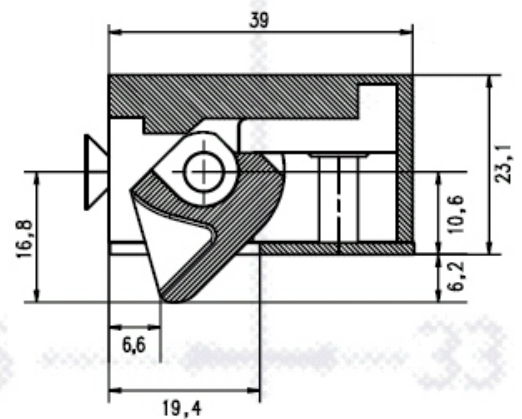
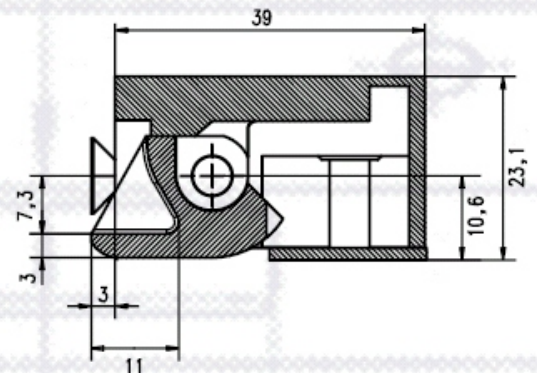
- Stable precision cast steel housing
- Reliable unlocking under pre-load
- Dimensions compatible for model series 141
- Horizontal mounting admissible



Sectional drawing 1:1



FaFix (FF) version



Standard version

Specifications	
Standard break-in resistance	15000 N
Break-in resistance FaFix	10000 N
Material: Housing/keep standard	Precision cast steel/steel
Material: Housing/keep/surface-m. attachment FaFix	Precision cast steel/precision cast steel/steel
Operating temperature range	-15 °C to +40 °C
Mounting independent of position	Yes

Electrical data		Operating temperature range Tolerance range	Rated resistance in Ohm	AC current consumption in mA	DC current consumption in mA (stabilized)	Operating noise during AC operation*	With Model	Keep pre-load max. in H with AC	Keep pre-load max. in H with DC (stabilized)
At 20 °C									
12 V eE	E3	±1 V	42,0	160	285	3	Standard	250	250
							FAFIX	150	150
24 V eE	F3	±2 V	175,0	70	140	3	Standard	250	250
							FAFIX	150	150
12 V AC/DC	E1	±1 V	11,5	1000	1040	3	Standard	1000	1000
							FAFIX	600	600
24 V AC/DC	F1	±2 V	43,0	550	560	3	Standard	1000	1000
							FAFIX	600	600

*For operating noise, see diagram page 235. Explanation of technical data page 234.

Order data, model series 131								Order number = blue area							
Model		Design		Striking plate		Colour		Voltage		DIN orientation					
Digits 1 - 7				Digits 8 - 10		Digits 11 + 12		Digits 13 + 14		Digit 15					
131	131	RR	RR	FAFIX	FF	HZ	028	EST	35	12 V AC/DC	E1	DL mounted	4		
13105	13105					HZF	031	galvanized	40	24 V AC/DC	F1	DR mounted	5		
Special models 131						kL	116	grey	02	12 V eE	E3	For indication of the DIN orientation, please note the striking plate table and the selected striking plate.			
						kF	030	gold	01	24 V eE	F3				
Digits 1 - 7						SiHZ	024	Possible colours Page 236.							
13105 RRF Diode		13106FF				SiW/3	071								
						S-737	451								
						HZ878	003								
						HZF878	095								

➔ Transfer number to order fax sheet on page 242.

*Striking plates with keep guide (HZF, KF, LAP) cannot be combined with FIX and FAFIX.
For possible combinations, please see the price list. Striking plates with keep guide are only supplied with mounted strike.
The keep is adjusted in the factory to the keep guide. The first 7 digits can vary for special models. Please enquire with us regarding the designation for special models.